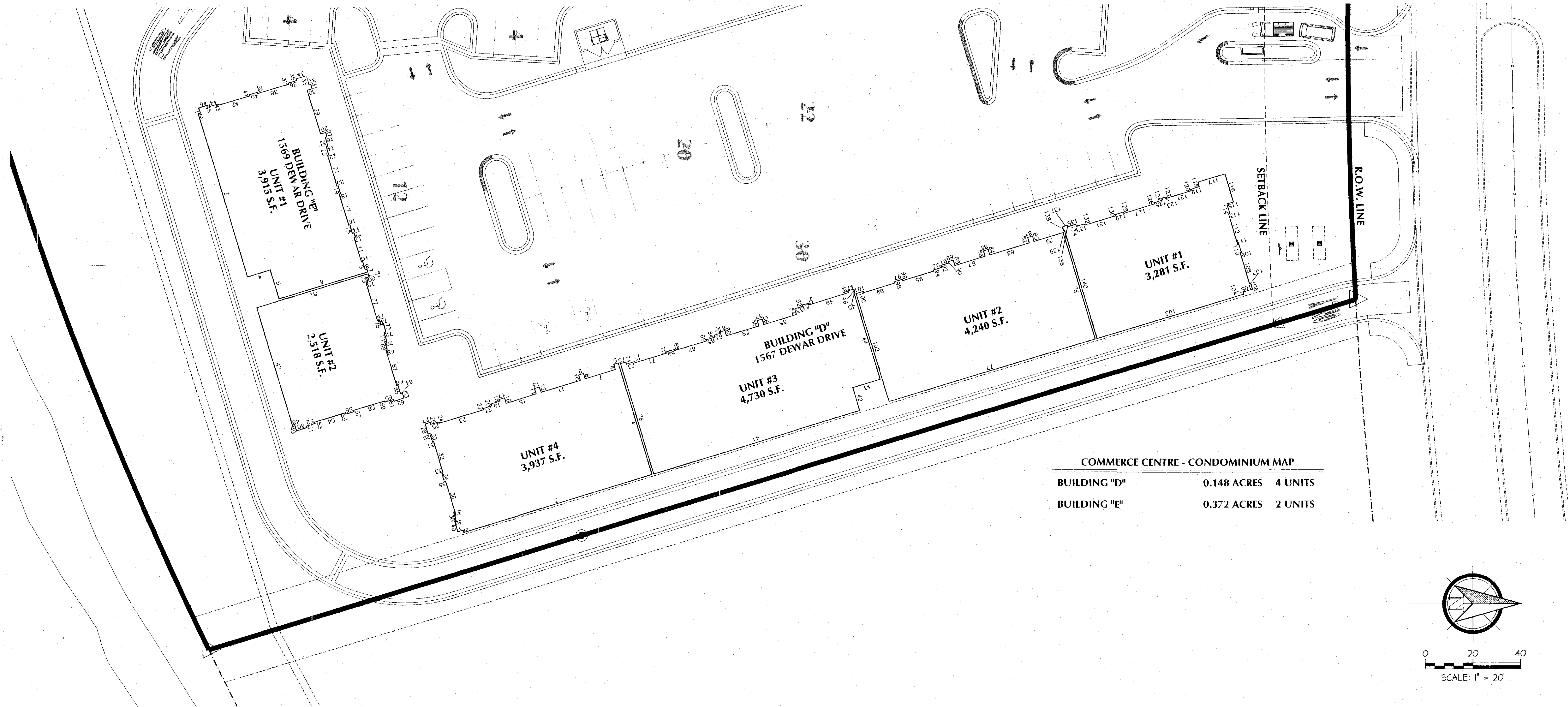
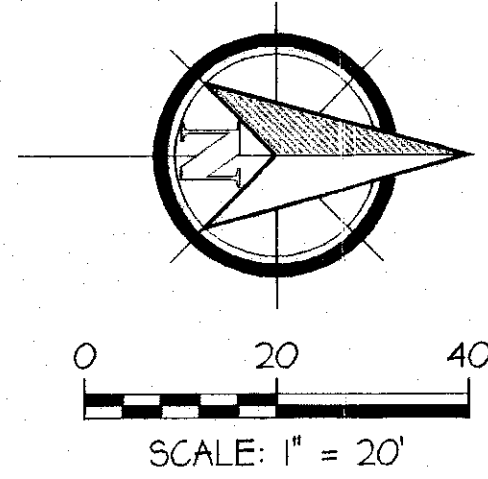


CONDOMINIUM MAP - BUILDINGS "D" AND "E"

A PARCEL LOCATED IN THE NE1/4 OF THE NW1/4 OF SECTION 3,
T. 18 N., R.105 W., OF THE SIXTH PRINCIPAL MERIDIAN,
SWEETWATER COUNTY, WYOMING



COMMERCE CENTRE - CONDOMINIUM MAP		
BUILDING "D"	0.148 ACRES	4 UNITS
BUILDING "E"	0.372 ACRES	2 UNITS



RECORDED: 9-27-2009 AT 04:00 PM REC# 156477 BY# 0000 FOR 0200
 STEVEN DALE SHAVIS, CLERK OF SWEETWATER COUNTY, WYOMING 5 of 8

CHOICE ENGINEERING SERVICES

404 "N" Street - Suite 201 | Rock Springs, WY 82901
Phone 307-362-6065 | Fax 307-362-6064

DATE OF PREPARATION: 07/31/09