

STATE OF WYOMING  
County of Sweetwater  
FILED FOR RECORD  
Sep 18 1958  
at 9 O'Clock A.M. and 8:00 P.M.  
in Book \_\_\_\_\_ of Pages \_\_\_\_\_  
L. L. PARKER  
COUNTY CLERK AND RECORDER

STATEMENT OF SUBDIVISION

EDEN VALLEY PROJECT  
Sweetwater County, Wyoming

The subdivision of the Eden Valley Project as it appears on this plat is made with the free consent and in accordance with the desire of the United States of America as owner and proprietor thereof, pursuant to the provisions of the Acts of Congress of May 10, 1939 (53 Stat. 685, 719), of June 26, 1949 (63 Stat. 277), and of May 26, 1954 (68 Stat. 155), under delegation of authority contained in Title 7, Code of Federal Regulations, Section 600.6, as revised November 17, 1955 (20 F.R. 8517). The strips of land shown as roads upon lands owned by the United States of America are to be made the subject of a grant of easement for road purposes by separate instruments to be duly recorded.

UNITED STATES OF AMERICA  
By John H. Hopkins  
State Conservationist  
Soil Conservation Service  
United States Department of Agriculture

ACKNOWLEDGMENT

STATE OF WYOMING } ss.  
COUNTY OF Natona }

On this 7th day of June, 1958, before me the undersigned, a Notary Public in and for the County and State aforesaid, personally appeared John H. Hopkins, State Conservationist, Soil Conservation Service, United States Department of Agriculture, who is personally known to me and personally known to me to be such State Conservationist and the same person who executed the within and foregoing instrument and he duly acknowledged the execution of the same for and on behalf of the United States of America.

In witness whereof, I have hereunto set my hand and affixed my official seal the day and year last above written.

Charles E. Boylan  
Notary Public

My commission expires: 6-6-61

SURVEYOR'S CERTIFICATE

I hereby certify that the survey of the exterior boundaries and rights of way and the attached plat of Farm Unit E-19, Eden Valley Irrigation Project, Sweetwater County, Wyoming, were made on the ground, under my supervision; that the survey of the exterior boundaries and rights of way is accurately represented upon the plat to which this certificate is affixed, and that said plat shows the exterior boundaries of the unit of land embraced therein by true courses and distances, all of which have been tied in with the section or quarter section corners established by the official United States Government survey thereof.

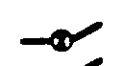



Signed this 27 day of August, 1958.

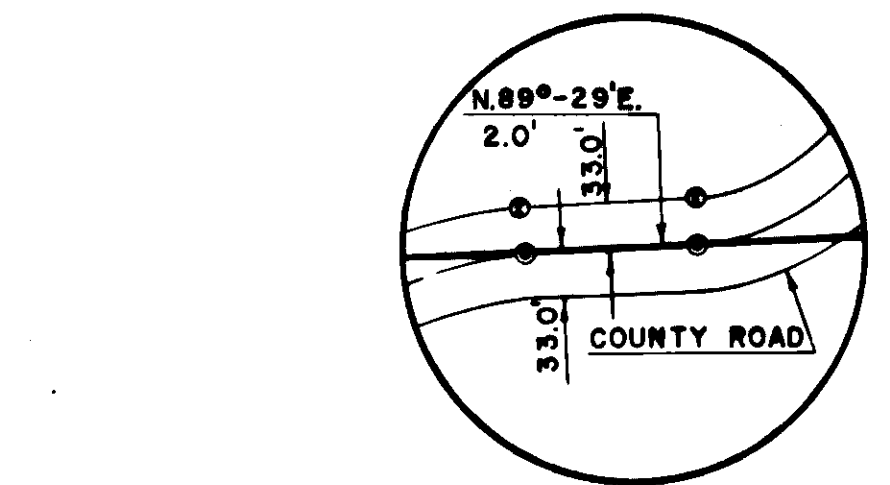
William E. Ahlman  
Project Engineer

ACREAGE TABLE

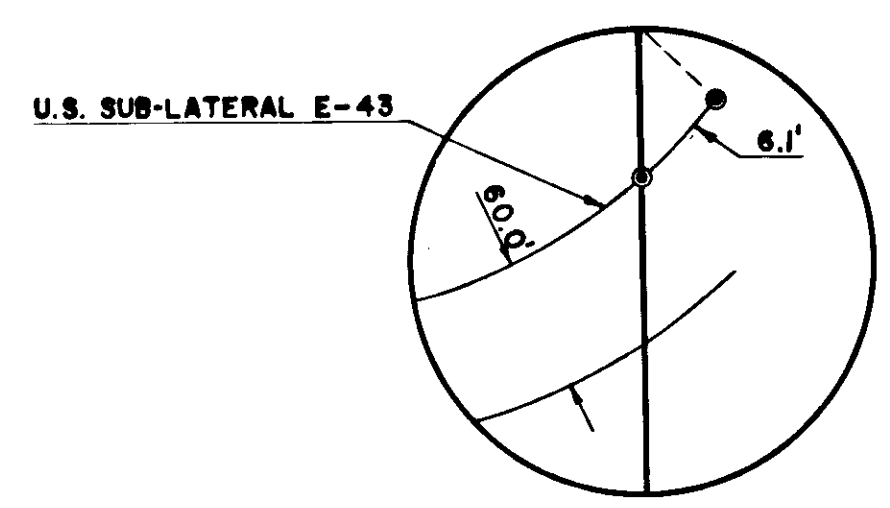
Total gross acreage	79.73
Ir. wks. acreage	3.29
Road right of way acreage	2.05
Usable acreage	74.39
Class 1	—
Class 2	28.6
Class 3	4.0
Class 4	3.1
Class 6	38.7
Total irrigable	35.7
Total non-irrigable	38.69

LEGEND

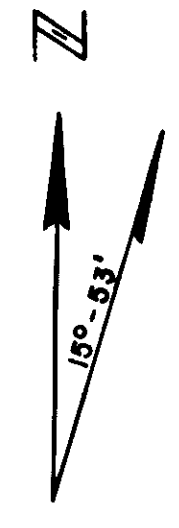
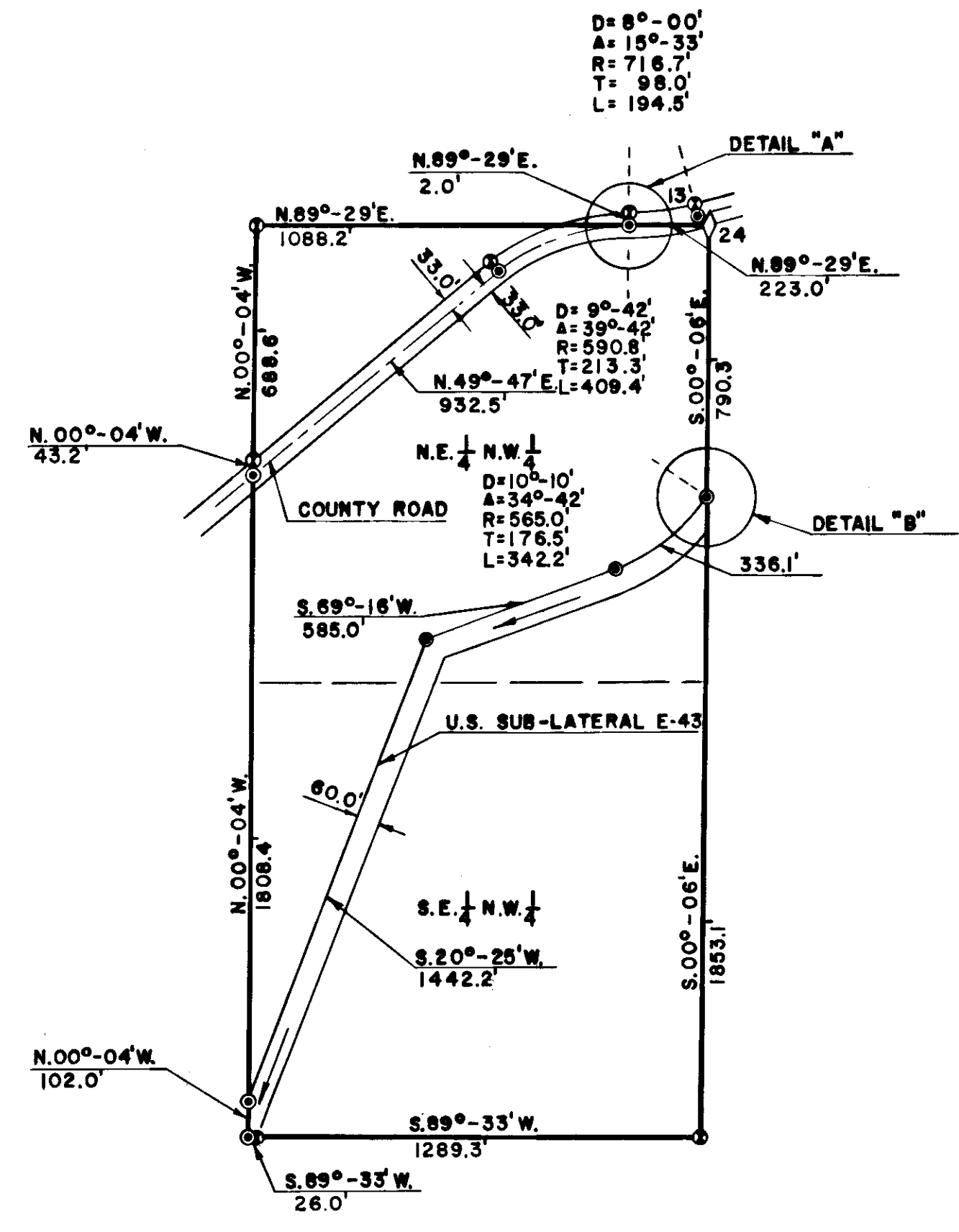
- Monument 
- Iron pin or bridge spike 
- Traverse point 
- Ownership boundary 



DETAIL "A"



DETAIL "B"



PLAT	
FARM UNIT E-19 EDEN VALLEY PROJECT SECTION 24 T.24N. R.107W. SWEETWATER COUNTY, WYOMING	
U. S. DEPARTMENT OF AGRICULTURE SOIL CONSERVATION SERVICE	
Designed	Date
Drawn	Approved by <u>William E. Ahlman</u> Title <u>Acting Head - E &amp; W. P.L.</u>
Traced	Title
Checked	Sheet <u>5, E-15, III</u> Drawing No. No. <u>1</u> of <u>1</u>